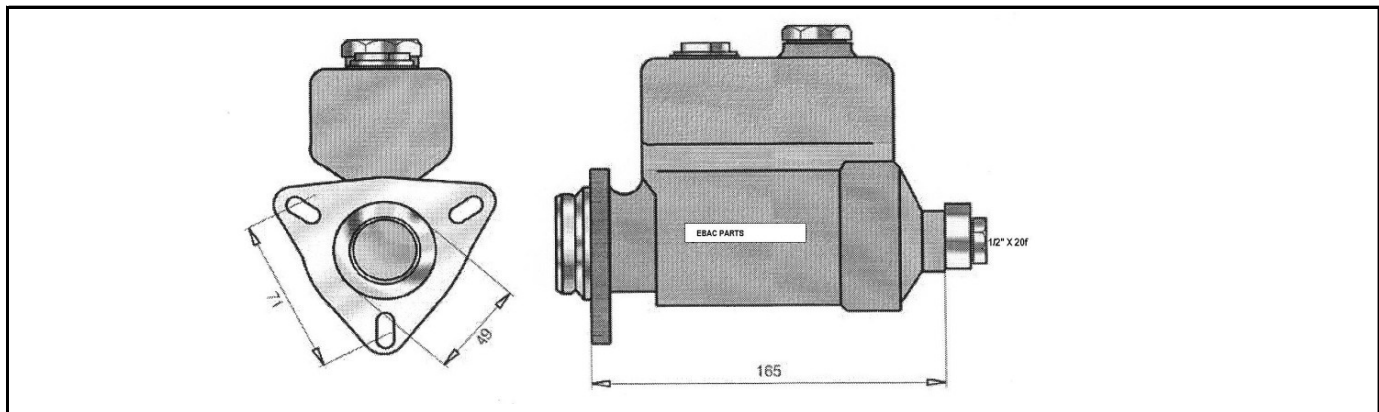
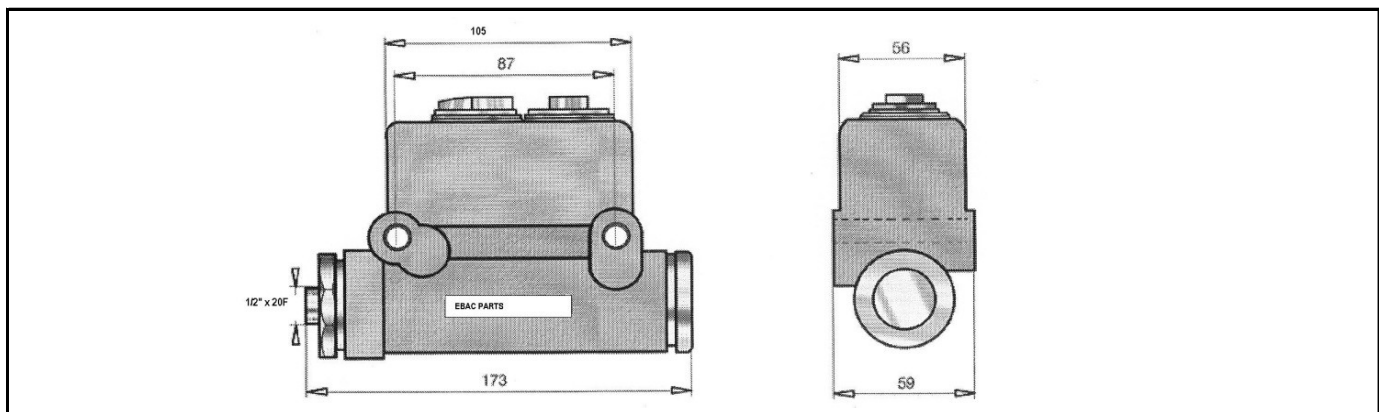


|       | <b>Indice ricambi - Spare parts CNH Industrial</b>                                  |             |   |     |
|-------|---|-------------|---|-----|
|       | Molti altri ricambi disponibili su richiesta - Many other parts available on demand |             |   |     |
|       | Viele andere Ersatzteile auf anfrage - Autres pièces disponibles sur demande        |             |   |     |
|       |   |             |   |     |
| progr | Codice Originale  | Codice Ebac | Description                             |     |
| 001   | 197712C2  | AFD1090     | Asta sterzo completa - Tie rod bar assy | D   |
| 002   | 197713C2  | AFD1091     | Asta sterzo completa - Tie rod bar assy | D   |
| 003   | 411904A1  | AFD1092     | Asta sterzo completa - Tie rod bar assy | D   |
| 004   | 183677A1  | AFD1093     | Asta sterzo completa - Tie rod bar assy | D   |
| 005   | 245723A1  | AFD1094     | Asta sterzo completa - Tie rod bar assy | D   |
| 006   | 3140943R1   | AFD1100     | Asta sterzo completa - Tie rod bar assy | D   |
| 007   | 153326518   | AFD1829     | Asta sterzo completa - Tie rod bar assy | D   |
| 008   | 183678A1  | AFD1829     | Asta sterzo completa - Tie rod bar assy | D   |
| 009   | 85807976  | AFD1830     | Asta sterzo completa - Tie rod bar assy | D   |
| 010   | 3146733R1   | AFT3376     | Tirante sterzo - Tie rod end            | D   |
| 011   | 3221271R95  | AFT5917     | Tirante sterzo - Tie rod end            | D   |
| 012   | 1968469C1   | AFT9648     | Tirante sterzo - Tie rod end            | D   |
| 013   | 1968473C1   | AFT9648     | Tirante sterzo - Tie rod end            | D   |
| 014   | 126144A1  | AFT4416     | Tirante sterzo - Tie rod end            | D   |
| 015   | 133743010   | AFT3473     | Tirante sterzo - Tie rod end            | D   |
| 016   | 133743002   | AFT2347     | Tirante sterzo - Tie rod end            | D   |
| 017   | 354730A1  | AFT0374     | Tirante sterzo - Tie rod end            | D   |
| 018   | 133743617   | AFT7163     | Tirante sterzo - Tie rod end            | D   |
| 019   | 340483A1  | AFT3840     | Tirante sterzo - Tie rod end            | D   |
| 020   | N14377  | SA57039     | Snodo assiale - Axial joint             |     |
| 021   | N14388  | SA57040     | Snodo assiale - Axial joint             |     |
| 022   | 133743011   | SA571103    | Snodo assiale - Axial joint             |     |
| 023   | 133743003   | SA573003    | Snodo assiale - Axial joint             |     |
| 024   | 354731A1  | SA571374    | Snodo assiale - Axial joint             |     |
| 025   | 112509A1  | SA579052    | Snodo assiale - Axial joint             |     |
| 026   | 247523A1  | AFT3840     | Tirante sterzo - Tie rod end            |     |
| 027   | 132665A1  | AFP1034     | Asta sterzo completa - Tie rod bar assy | 1P  |
| 028   | 133743617   | AFP1035     | Asta sterzo completa - Tie rod bar assy | 1P  |
| 029   | 133743015   | AFP1810     | Asta sterzo completa - Tie rod bar assy | 1P  |
| 030   | 132666A1  | AFP6034     | Asta sterzo completa - Tie rod bar assy | 1P  |
| 031   | 133743619   | AFP6035     | Asta sterzo completa - Tie rod bar assy | 1P  |
| 032   | 133743014   | AFP6810     | Asta sterzo completa - Tie rod bar assy | 1P  |
| 033   | 87535704  | AFD1919     | Asta sterzo completa - Tie rod bar assy | D   |
| 034   | 86825030  | AFD1920T    | Tirante sterzo - Tie rod end            | D   |
| 035   | 85817683  | AFD1921     | Asta sterzo completa - Tie rod bar assy | D   |
| 036   | 85807974  | AFD1922     | Asta sterzo completa - Tie rod bar assy | D   |
| 037   | MH2.6   | AFD1923     | Asta sterzo completa - Tie rod bar assy | D   |
| 038   | 070TR256  | AFD1924T    | Tirante sterzo - Tie rod end            | 2PD |
| 039   | 128604A1  | AFD1924T    | Tirante sterzo - Tie rod end            | 2PD |
| 040   | 070TR252  | AFD1925T    | Tirante sterzo - Tie rod end            | 1PD |
| 041   | 070TR251  | AFD1926T    | Tirante sterzo - Tie rod end            | 1PS |
| 042   | 190462A1  | AFS1086     | Disco freno - Friction disc             |     |
| 043   | 245297A1  | AFS1087     | Disco freno - Friction disc             |     |
| 044   | 291579A1  | AFS1088     | Disco freno - Friction disc             |     |
| 045   | 1263329A1   | AFS1089     | Disco freno - Friction disc             |     |
| 046   | 331518T2  | AFS1090     | Disco freno - Friction disc             |     |
| 047   | 148962A1  | AFS1091     | Disco freno - Friction disc             |     |
| 048   | A41355  | AFS1359     | Disco freno - Friction disc             |     |
| 049   | 371135A1  | AFS5265     | Disco freno - Friction disc             |     |
| 050   | 8900126641  | AFS6781     | Disco freno - Friction disc             |     |
| 051   | A64525  | AFS3261     | Disco freno - Friction disc             |     |

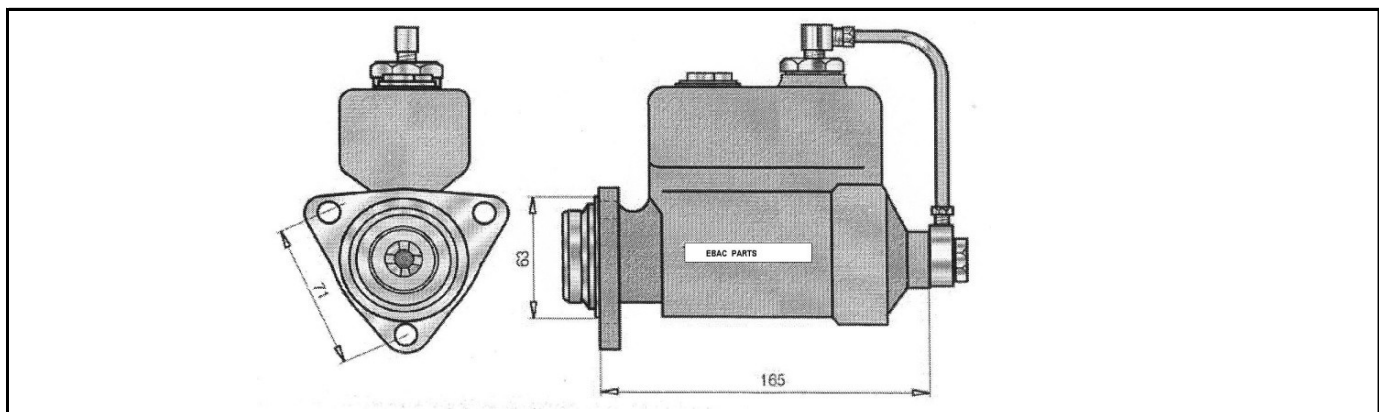




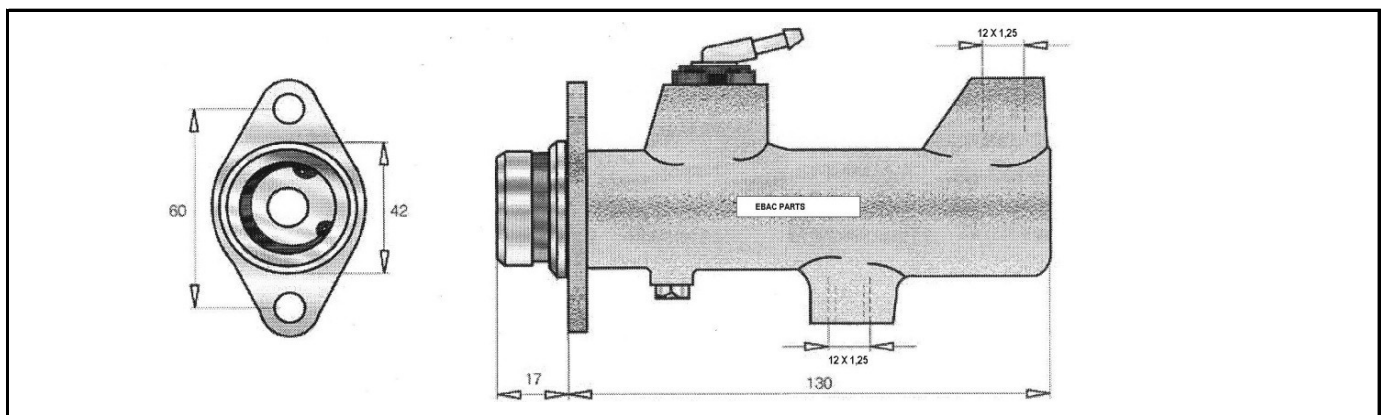
|                |    |  |                       |
|----------------|----|--|-----------------------|
| Ebac code      |    |  | Description           |
| BMS134.100.120 | MC |  | Brake master cylinder |
|                |    |  |                       |
|                |    |  |                       |



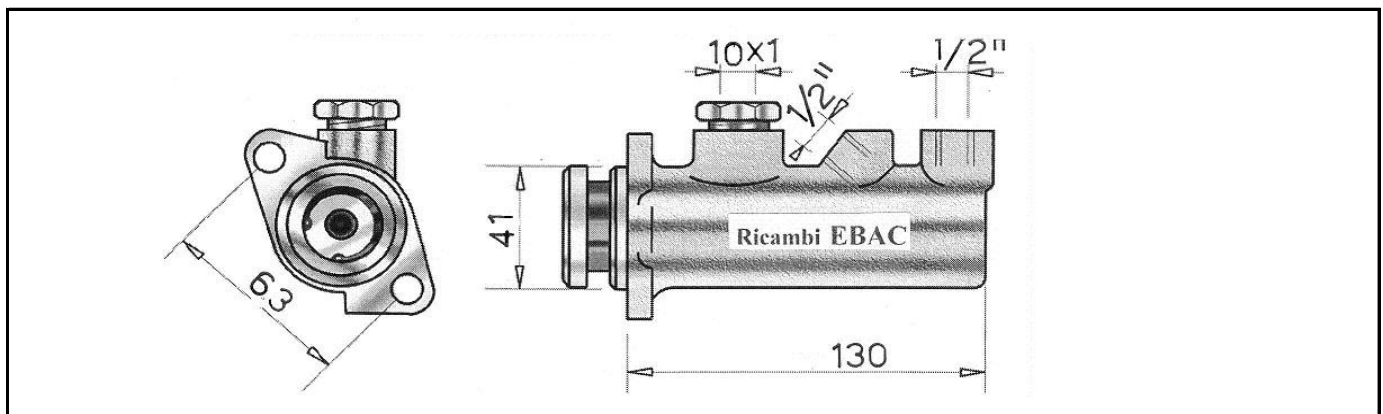
|               |    |  |                          |
|---------------|----|--|--------------------------|
| Ebac code     |    |  | Description              |
| BMS114.34.139 | MC |  | Brake master cylinder Mo |
|               |    |  |                          |
|               |    |  |                          |



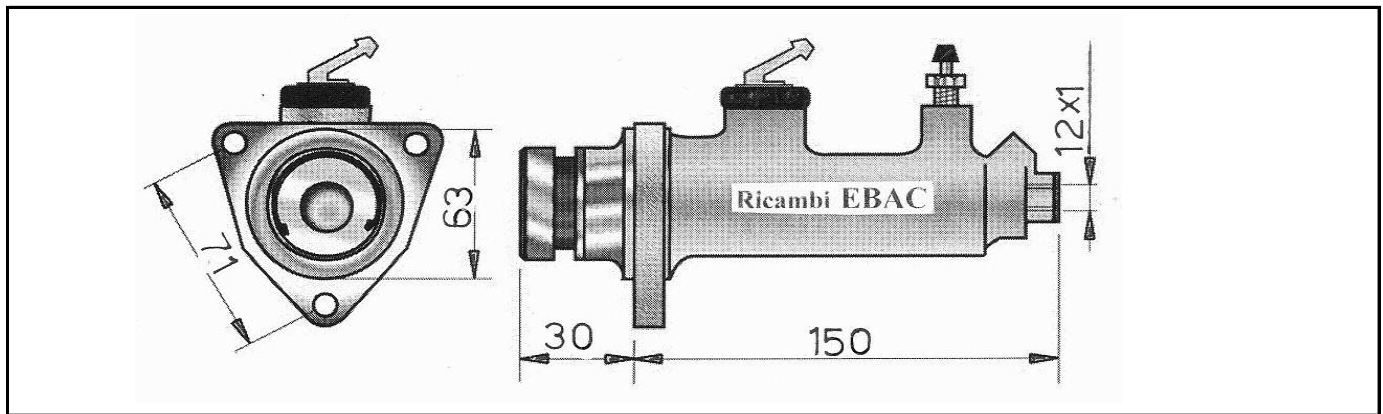
|                |    |  |                       |
|----------------|----|--|-----------------------|
| Ebac code      |    |  | Description           |
| BMS134.100.114 | MC |  | Brake master cylinder |
|                |    |  |                       |
|                |    |  |                       |



|            |  |                          |
|------------|--|--------------------------|
| Ebac code  |  | Description              |
| BT100.036M |  | Brake master cylinder Mo |
|            |  |                          |
|            |  |                          |



|            |  |                          |
|------------|--|--------------------------|
| Ebac code  |  | Description              |
| BBT100.204 |  | Brake master cylinder Om |
|            |  |                          |
|            |  |                          |



|           |  |                       |
|-----------|--|-----------------------|
| Ebac code |  | Description           |
| BT138.208 |  | Brake master cylinder |
|           |  |                       |
|           |  |                       |